

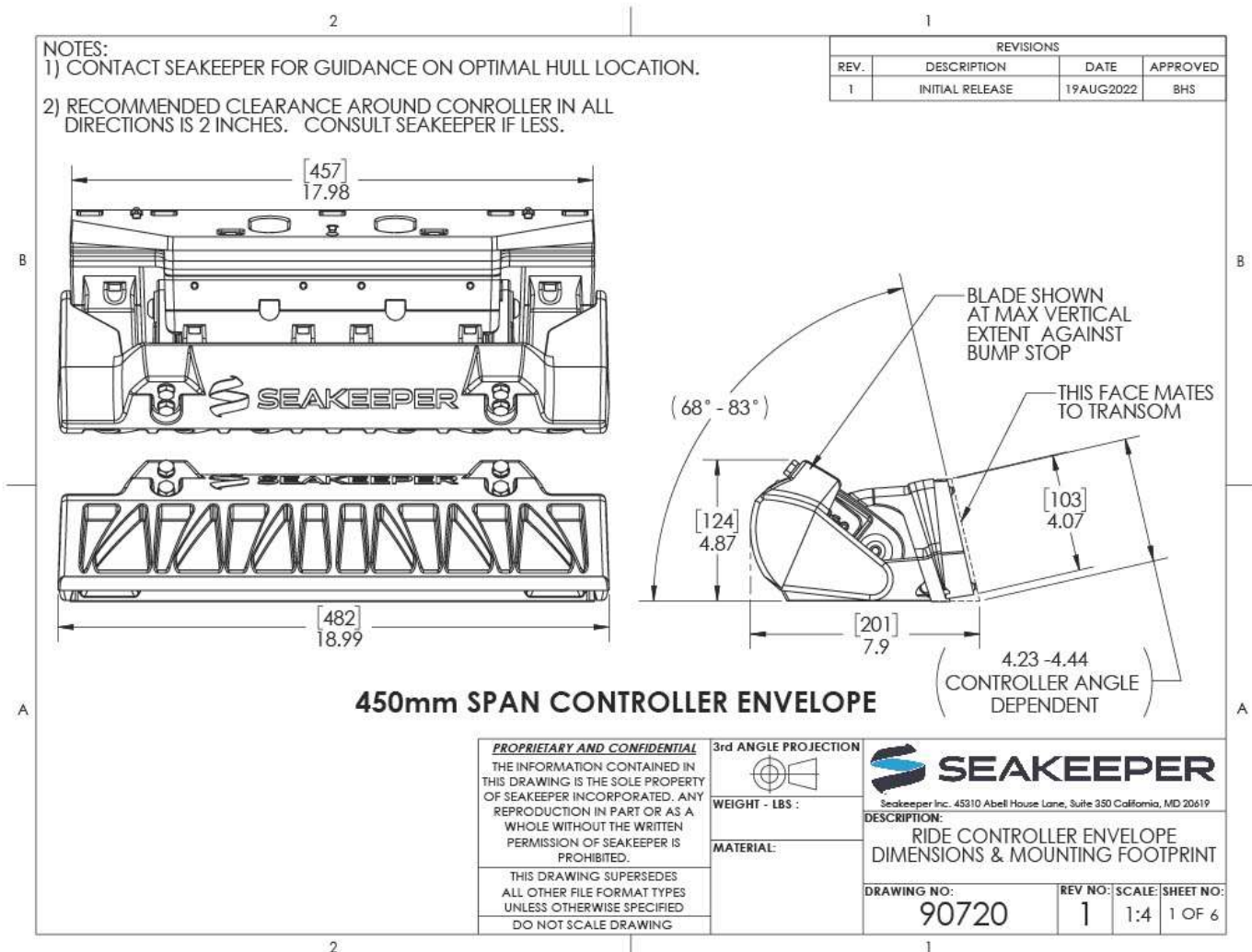
Seakeeper Ride | Controller Footprint & Envelope Drawings

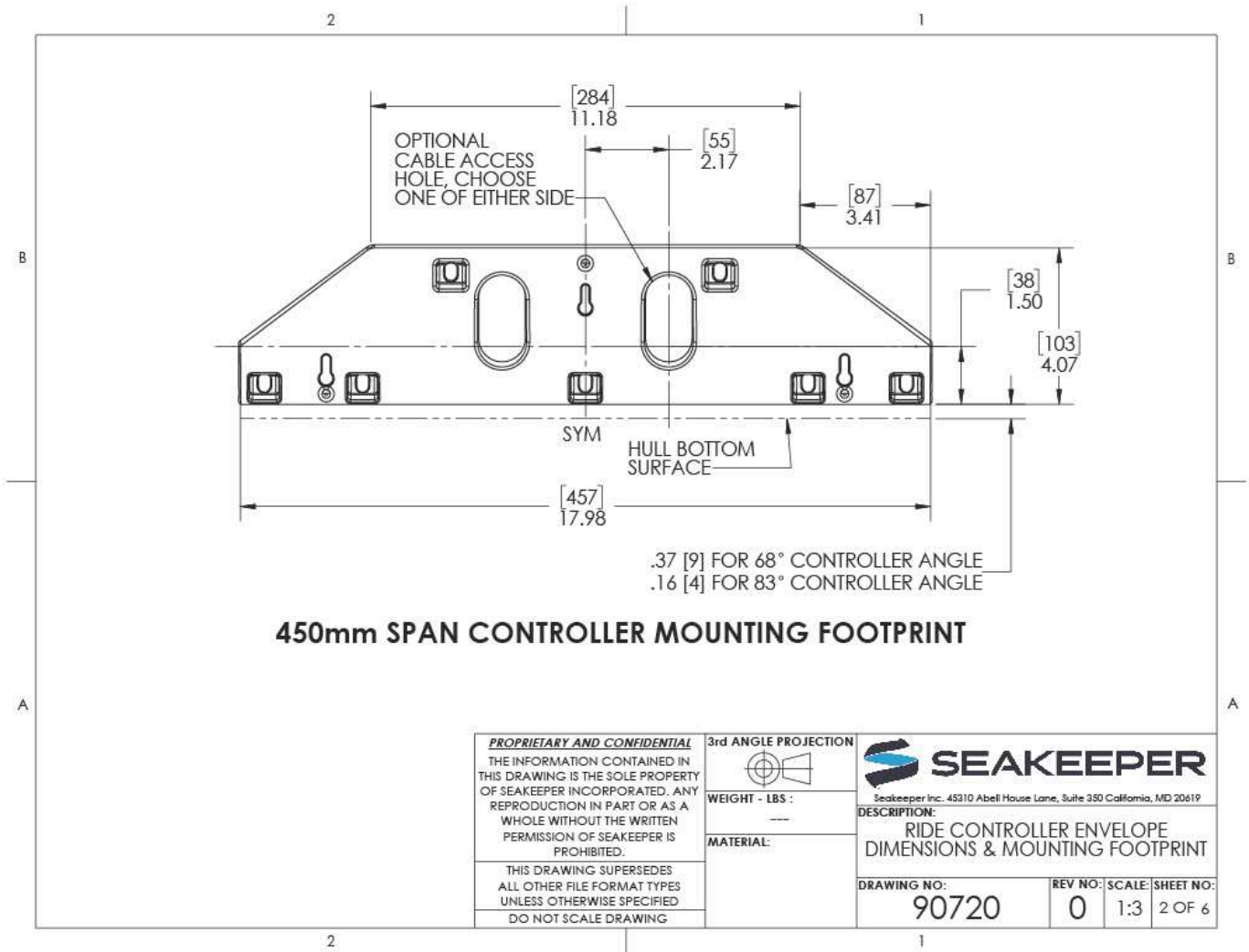
Controller Footprint & Envelope Drawings

Updated 03/29/2023

High detail drawings can be found below to determine how much physical space the Seakeeper Ride Controllers will require. The mounting footprint is the size and shape of the Controller surface that will adhere to the hull. The Controller envelope is how much space the Controller will take up when mounted to the hull with the Blade rotated to its maximum range upwards. All dimensions are in inches.

Seakeeper Ride 450

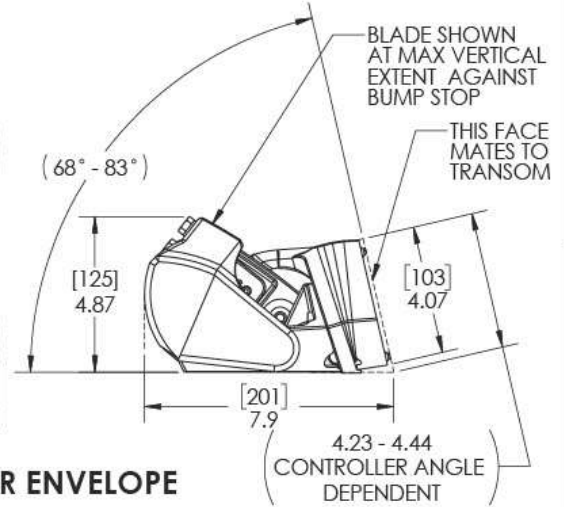
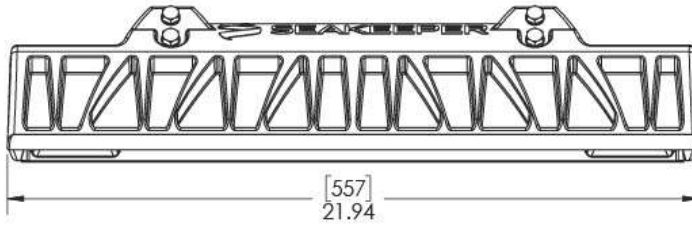
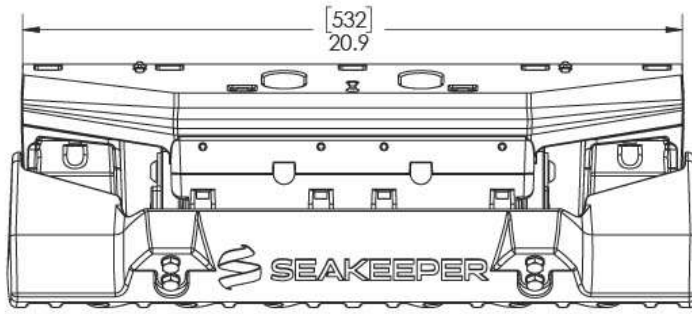




Seakeeper Ride 525

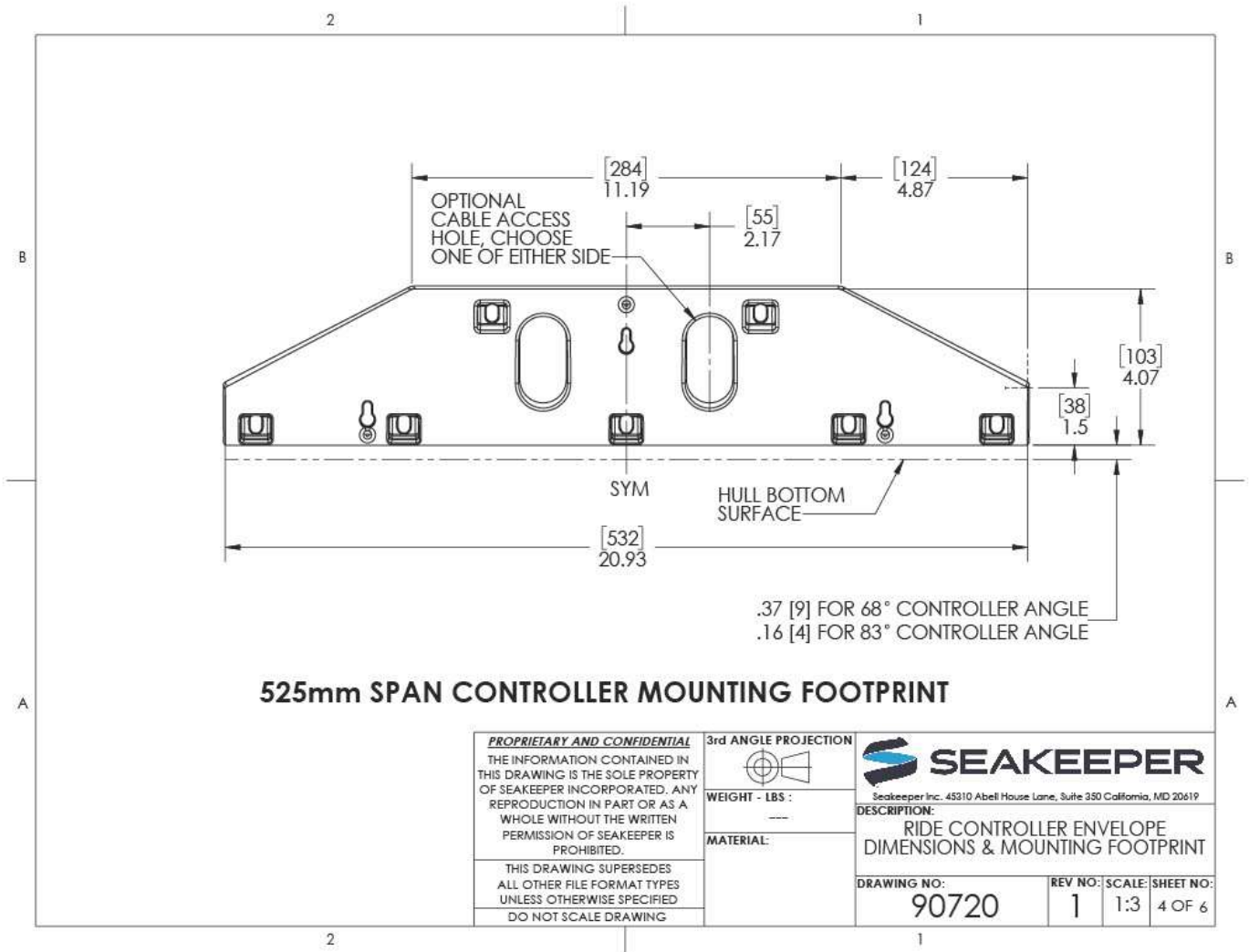
NOTES:

- 1) CONTACT SEAKEEPER FOR GUIDANCE ON OPTIMAL HULL LOCATION.
- 2) RECOMMENDED CLEARANCE AROUND CONROLLER IN ALL DIRECTIONS IS 2 INCHES. CONSULT SEAKEEPER IF LESS.



525mm SPAN CONTROLLER ENVELOPE

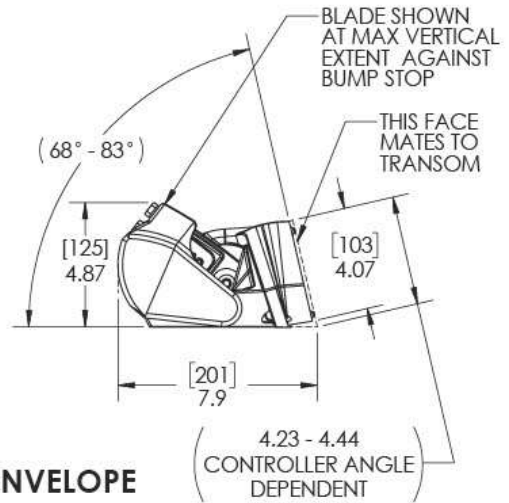
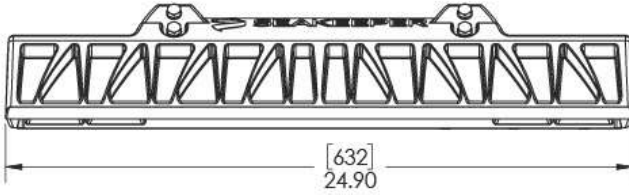
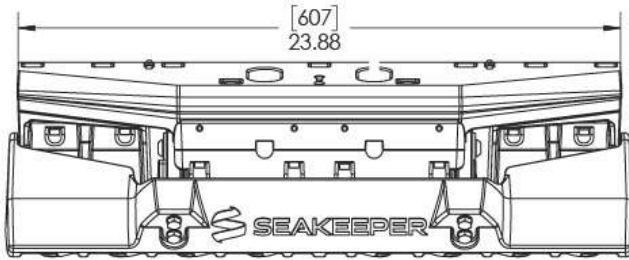
<p>PROPRIETARY AND CONFIDENTIAL THE INFORMATION CONTAINED IN THIS DRAWING IS THE SOLE PROPERTY OF SEAKEEPER INCORPORATED. ANY REPRODUCTION IN PART OR AS A WHOLE WITHOUT THE WRITTEN PERMISSION OF SEAKEEPER IS PROHIBITED.</p> <p>THIS DRAWING SUPERSEDES ALL OTHER FILE FORMAT TYPES UNLESS OTHERWISE SPECIFIED DO NOT SCALE DRAWING</p>	<p>3rd ANGLE PROJECTION</p>	<p>SEAKEEPER Seakeeper Inc. 45310 Abell House Lane, Suite 350 California, MD 20619</p>
	<p>WEIGHT - LBS :</p>	
	<p>MATERIAL:</p>	<p>DRAWING NO:</p> <p>90720</p>



Seakeeper Ride 600

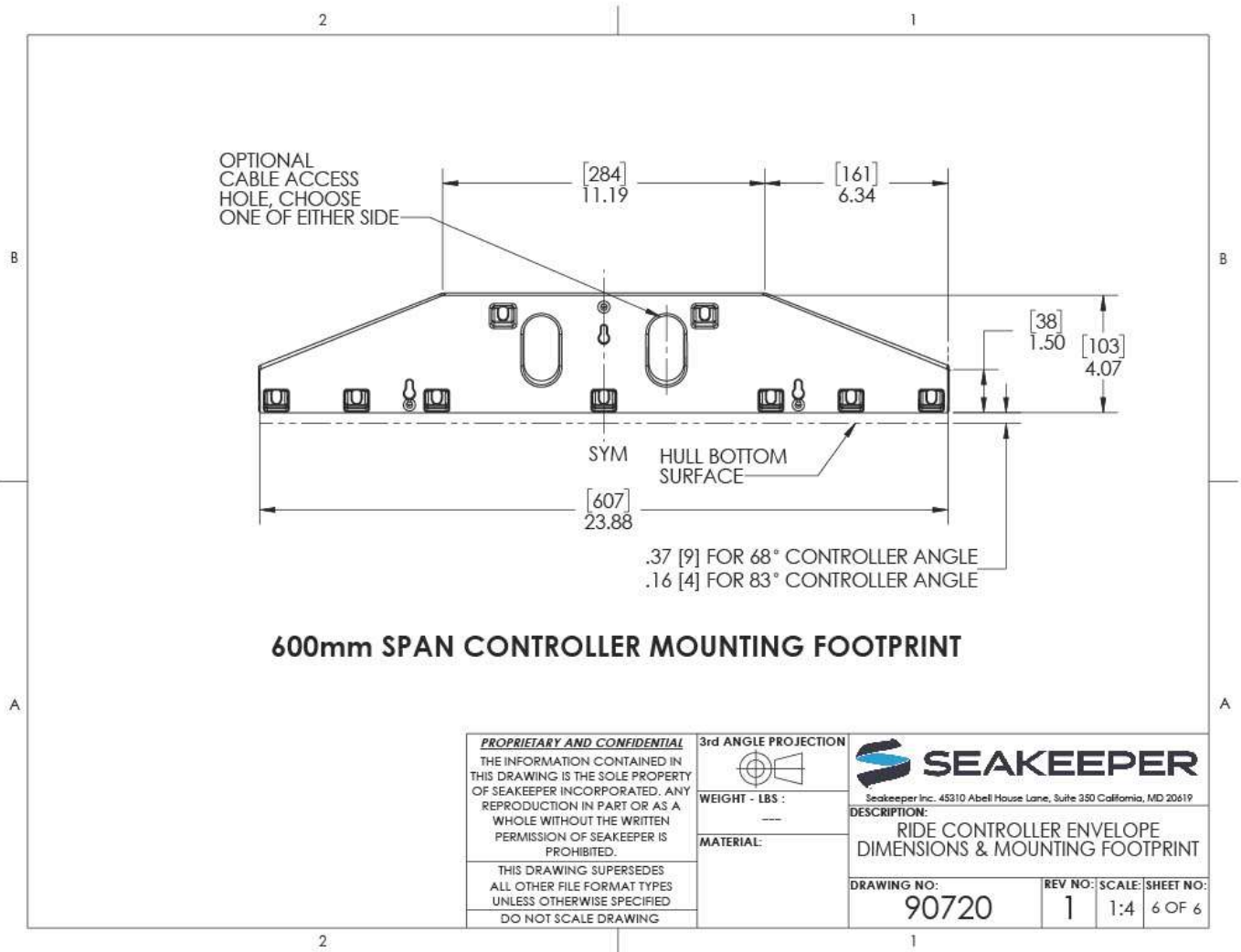
NOTES:

- 1) CONTACT SEAKEEPER FOR GUIDANCE ON OPTIMAL HULL LOCATION.
- 2) RECOMMENDED CLEARANCE AROUND CONTROLLER IN ALL DIRECTIONS IS 2 INCHES. CONSULT SEAKEEPER IF LESS.



600mm SPAN CONTROLLER ENVELOPE

<p>PROPRIETARY AND CONFIDENTIAL THE INFORMATION CONTAINED IN THIS DRAWING IS THE SOLE PROPERTY OF SEAKEEPER INCORPORATED. ANY REPRODUCTION IN PART OR AS A WHOLE WITHOUT THE WRITTEN PERMISSION OF SEAKEEPER IS PROHIBITED.</p> <p>THIS DRAWING SUPERSEDES ALL OTHER FILE FORMAT TYPES UNLESS OTHERWISE SPECIFIED DO NOT SCALE DRAWING</p>	<p>3rd ANGLE PROJECTION</p>	<p>SEAKEEPER Seakeeper Inc. 45310 Abell House Lane, Suite 350 California, MD 20619</p>
	<p>WEIGHT - LBS :</p> <p>MATERIAL:</p>	
<p>DRAWING NO: 90720</p>		<p>REV NO: SCALE: SHEET NO: 1 1:5 5 OF 6</p>



<p>PROPRIETARY AND CONFIDENTIAL</p> <p>THE INFORMATION CONTAINED IN THIS DRAWING IS THE SOLE PROPERTY OF SEAKEEPER INCORPORATED. ANY REPRODUCTION IN PART OR AS A WHOLE WITHOUT THE WRITTEN PERMISSION OF SEAKEEPER IS PROHIBITED.</p> <p>THIS DRAWING SUPERSEDES ALL OTHER FILE FORMAT TYPES UNLESS OTHERWISE SPECIFIED</p> <p>DO NOT SCALE DRAWING</p>	<p>3rd ANGLE PROJECTION</p>	<p>Seakeeper Inc. 45310 Abell House Lane, Suite 350 California, MD 20619</p>
	<p>WEIGHT - LBS : ---</p> <p>MATERIAL:</p>	
		<p>DRAWING NO: 90720</p>